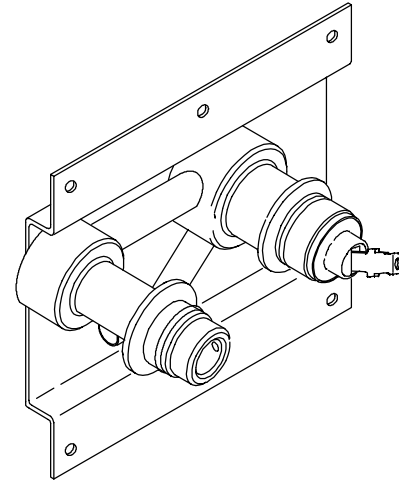


FEATURES

- *Single-control wall-mounting*
- *Brass construction*
- *One-piece self-contained ceramic disc valve allows both volume and temperature control*
- *Temperature memory allowing faucet to be turned on and off at any temperature setting*
- *High-temperature limit stop*
- *2.2 gallons (8 L) per minute*



CODES/STANDARDS APPLICABLE

Specified model meets or exceeds the following:

- *ASME/ANSI A112.18.1M*
- *CSA B125*
- *Energy Policy Act of 1992*
- *IAPMO/UPC*
- *NSF 61*

COLORS/FINISHES

- NA Not applicable

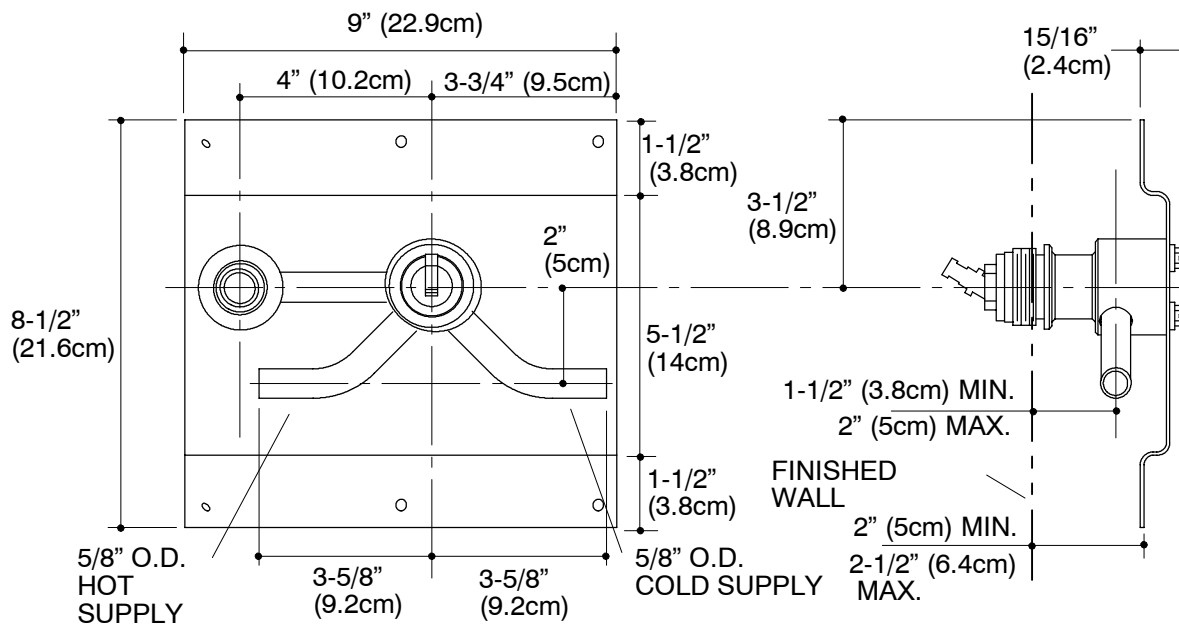
SPECIFIED MODEL:

Model	Description	
K-307-K	Falling Water Wall-Mount Valve	<input type="checkbox"/> NA

PRODUCT SPECIFICATION:

Single-control wall-mount faucet shall be of brass construction. The valve shall be a one-piece, self-contained ceramic disc valve, and allows both volume and temperature control. The valve shall feature temperature memory, allowing the faucet to be turned on and off at any temperature setting, and includes a high-temperature limit stop. Valve shall be Kohler Model K-307-K-NA.

FALLING WATER



14

Roughing-In Notes
Two 1-7/8" (4.8cm) D. cut-out holes required for spout and handle.
Follow the installation dimensions precisely as there is no deep rough-in kit available for this product.

PRODUCT DIAGRAM