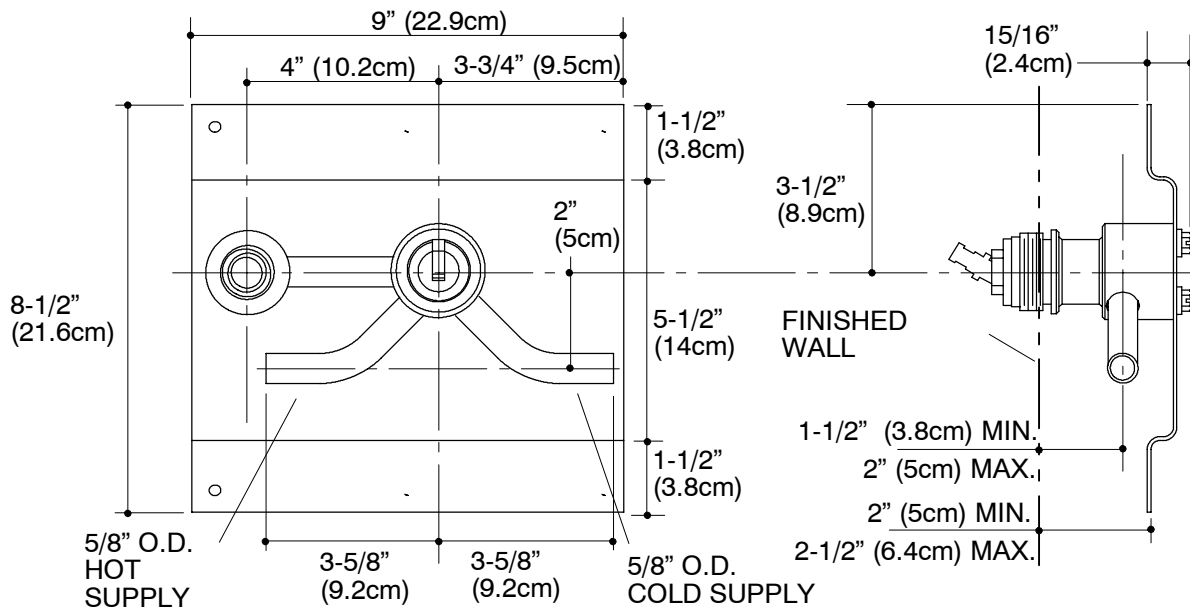


Ordering Information

Applicable valve:	
Wall-mount valve	K-307-K



Roughing-In Notes

Two 1-7/8" (4.8cm) D. cut-out holes required for spout and handle.

Follow the installation dimensions precisely as there is no deep rough-in kit available for this product.