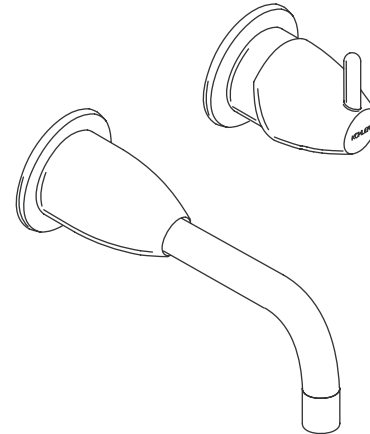


FALLING WATER

**WALL-MOUNT FAUCET
K-T195
ALSO K-T197, K-T199**

Features

- Brass construction
- Wall-mount installation
- Lever handle
- Single-handle control
- 2.2 gallon (8.33 liter) per minute flow rate
- Available with 7-1/4" (18.4 cm), 10-1/4" (26 cm), or 13-1/4" (33.7 cm) length spout



Codes/Standards Applicable

Specified model meets or exceeds the following:

- ADA
- ASME A112.18.1
- CSA B125
- IAPMO/UPC
- NSF 61
- Energy Policy Act of 1992 (EPACT)

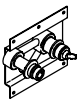
ADA

Colors/Finishes

- CP: Polished Chrome
- PB: Polished Brass
- Other: Refer to Price Book for additional colors/finishes

Specified Model

Model	Description	Colors/Finishes		
K-T195	7-1/4" (18.4 cm) length spout	<input type="checkbox"/> CP	<input type="checkbox"/> PB	<input type="checkbox"/> Other ____
K-T197	10-1/4" (26 cm) length, 3/4" OD spout	<input type="checkbox"/> CP	<input type="checkbox"/> PB	<input type="checkbox"/> Other ____
K-T199	13-1/4" (33.7 cm) length spout	<input type="checkbox"/> CP	<input type="checkbox"/> PB	<input type="checkbox"/> Other ____

Required Accessory			
K-307-K	Wall-mount valve		<input type="checkbox"/> NA

Optional Accessories				
K-7702	Pop-up lavatory drain	<input type="checkbox"/> CP	<input type="checkbox"/> PB	
K-7710	Lavatory drain	<input type="checkbox"/> CP		
K-7715	Lavatory drain	<input type="checkbox"/> CP	<input type="checkbox"/> PB	
K-8801	Duostrainer® sink strainer	<input type="checkbox"/> CP	<input type="checkbox"/> PB	<input type="checkbox"/> Other ____

Product Specification
 Wall-mount faucet shall be of brass construction. Product shall be available with 7-1/4" (18.4 cm), 10-1/4" (26 cm), or 13-1/4" (33.7 cm) length spout. Product shall have a 2.2 gallon (8.33 liter) per minute flow rate. Product shall be single-control with lever handle. Product shall be K-T____-____.

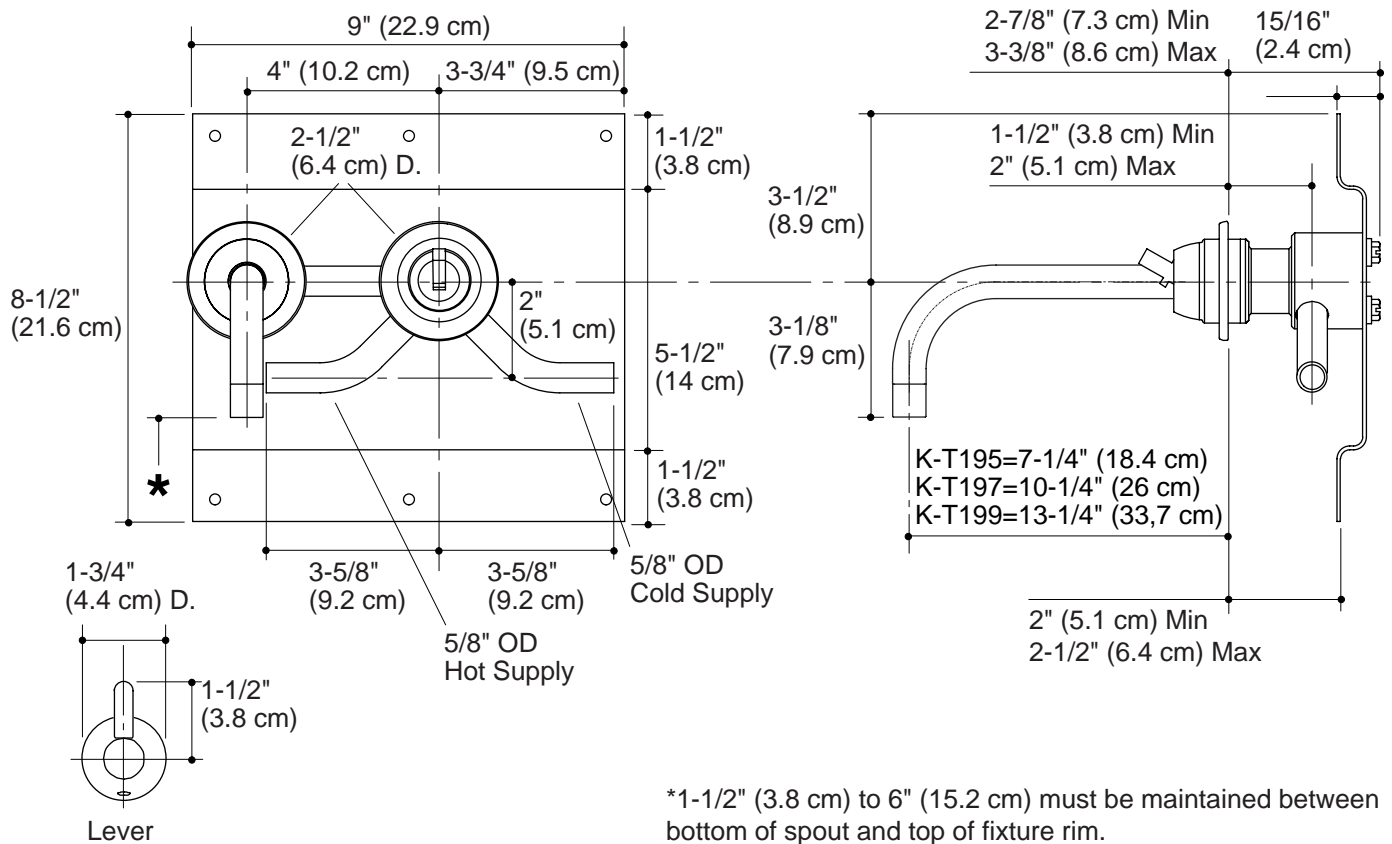
FALLING WATER

Installation Notes

Install this product according to the installation guide.

Install the wall-mount valve according to the valve installation guide.

A total of two 1-7/8" D. cut-out holes are required, one for the spout and one for the handle.



Product Diagram

FALLING WATER WALL-MOUNT FAUCET

Page 2 of 2
086501-4-AB

THE BOLD LOOK
OF **KOHLER**