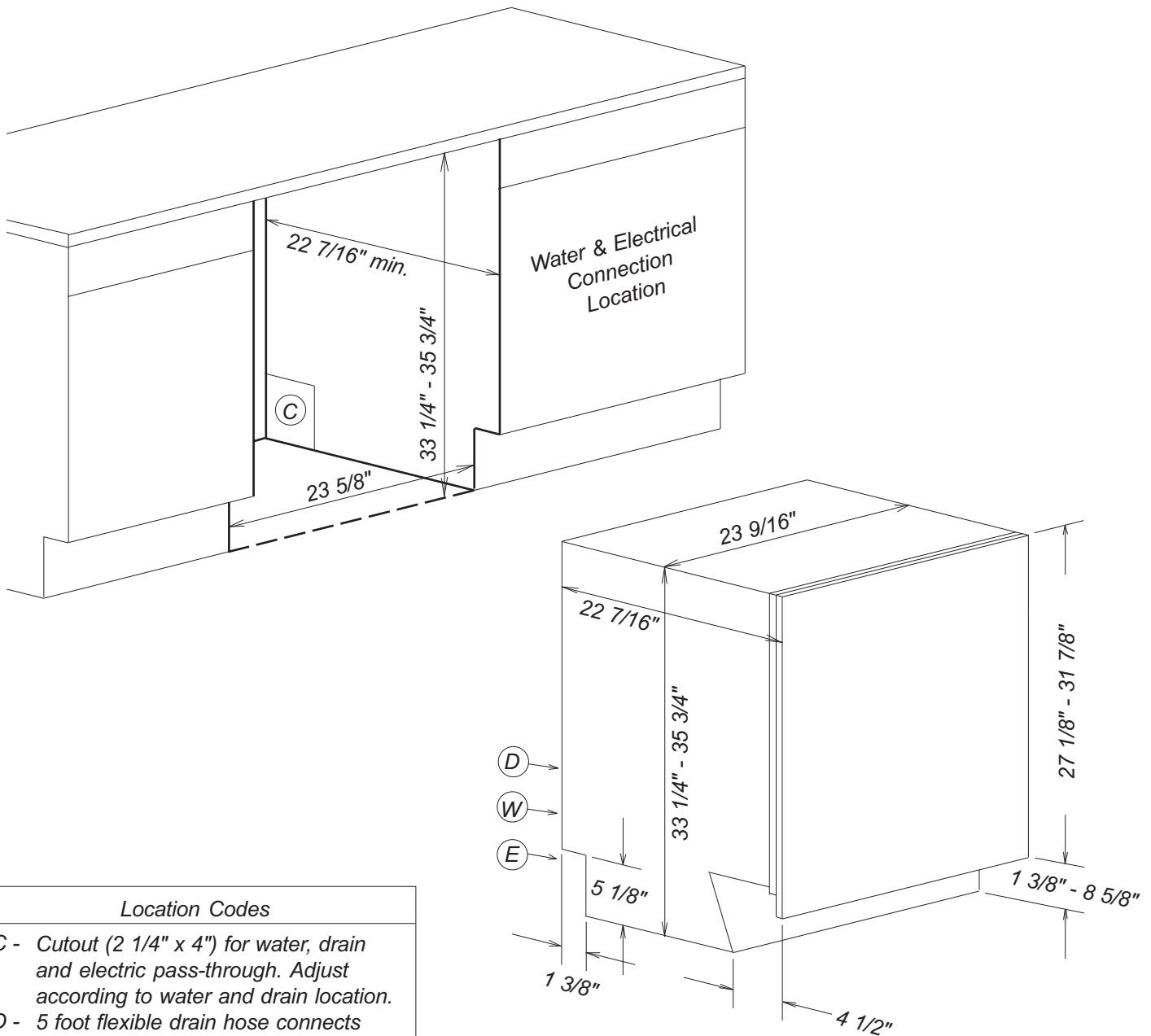


# Product and Cut-out Dimensions G2000 Series Dishwashers Fully Integrated Models



Location Codes
C - Cutout (2 1/4" x 4") for water, drain and electric pass-through. Adjust according to water and drain location.
D - 5 foot flexible drain hose connects lower center rear.
E - 5 foot - 120 Volt - 15 Amp 3-wire molded plug power supply connects lower left rear.
W - 5 foot "Double Waterproof" flexible water intake hose connects lower center rear.
Notes
• All installations must be done in accordance with local codes

NOTE: Drawing is not to scale.  
SPECIFICATION SHEETS 010106

# Front Panel Information

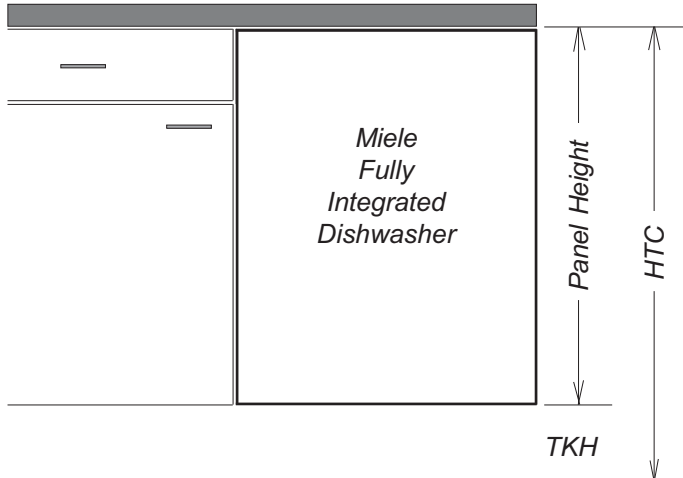
## G2000 Fully Integrated Models



### Custom Panel Installations

*Some Miele dishwashers do not come equipped with a front panel. These dishwashers are designed to accept a custom door panel supplied by the cabinet maker. Miele has a unique panel integration system which allows the dishwasher to align with the surrounding cabinets.*

*Panel size is determined in the following manner:*



**Width:** 23 7/16" in all cases

**Thickness:** 3/4" in all cases

**Height:** Determined using the following calculation:

$$\text{Panel Height} = \text{HTC} - \text{TKH}$$

**HTC** = Height to the underside of countertop

**TKH** = Toe-kick height

**Note:** Control panel is along the top edge of the unit. It is not visible when the unit is closed.  
A handle **MUST** be located on the front panel in order to open the unit

**Maximum panel height:** 31 7/8"

**Minimum panel height:** 27 3/16"

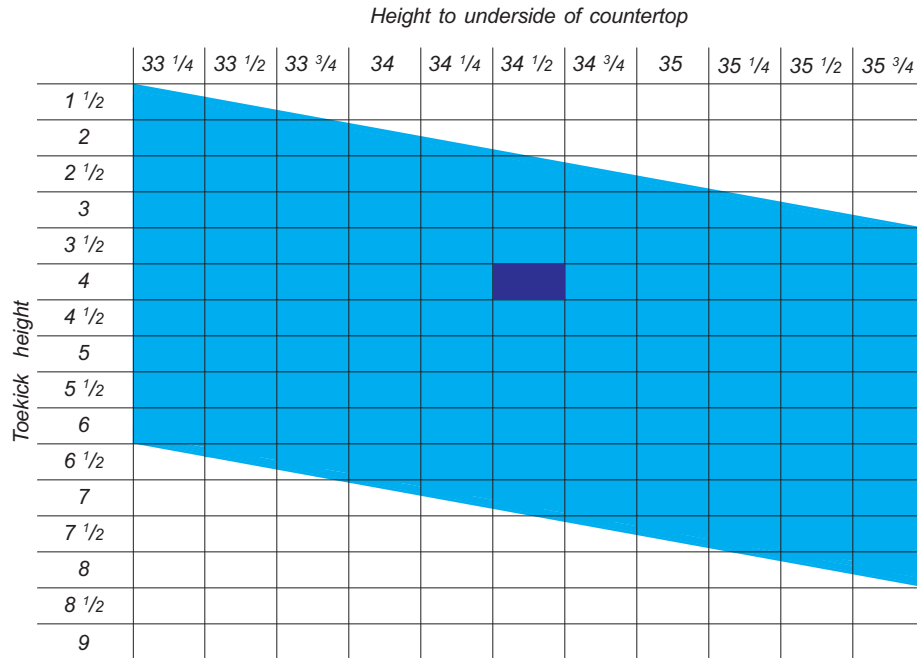
**Maximum panel weight:** 21 Pounds



### GFVi Installations

*In lieu of a custom front, Miele offers a decorative panel system called a GDU kit. GDU kits vary depending upon the model chosen. Each GDU kit contains a front panel and a toe-kick cover.*

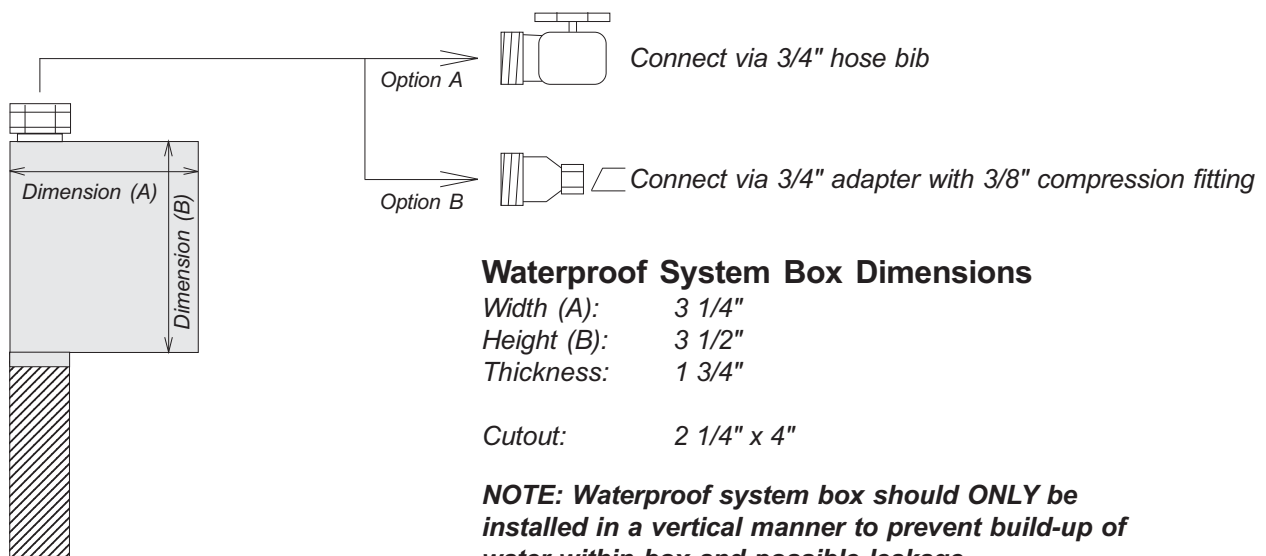
# Installation Information

## G2000 Dishwashers



 Acceptable combinations  
 Typical American installation

## Water Connection



### Waterproof System

Temperature: 110° - 130° F  
 Pressure: 4.5 - 145 PSI  
 Drain hose: 7/8" ID - 5 feet long

NOTE: Drawing is not to scale.  
 SPECIFICATION SHEETS 010106