

# Sunrise Fountain Assembly & Mounting Instructions

Water Wonders®



Welcome to the Water Wonders family. A few simple steps will ensure that your *Sunrise Fountain* remains a soothing, enjoyable fountain that brings the sights and sounds of nature to you. Two important considerations when choosing the proper location for your fountain are power source and a sturdy, mounting surface. To eliminate visible electrical cords, you have the option of mounting your fountain with a recessed, switched, electrical “clock box” receptacle installed into the wall directly behind the fountain. Because of its weight, it is necessary to mount this fountain directly into wall studs whose centers are normally 16” apart. Assistance in mounting your *Sunrise Fountain* is also recommended.

## **Helpful Hints**

Before getting started, keep in mind these important points which will help ensure a successful installation and smooth operation of your new fountain.

- Always wet the rocks and slate before turning on pump.
- Always maintain a water level of approximately ½” from the top of the water pan.
- Be careful where the fountain is set up. Try not to place the fountain in a spot where it could potentially be bumped into or cause damage. Avoid delicate surfaces that could be damaged by splashing.
- Never use chemicals or copper cleaner on the fountain, as this will ruin the finish.

## **TOOLS NEEDED:**

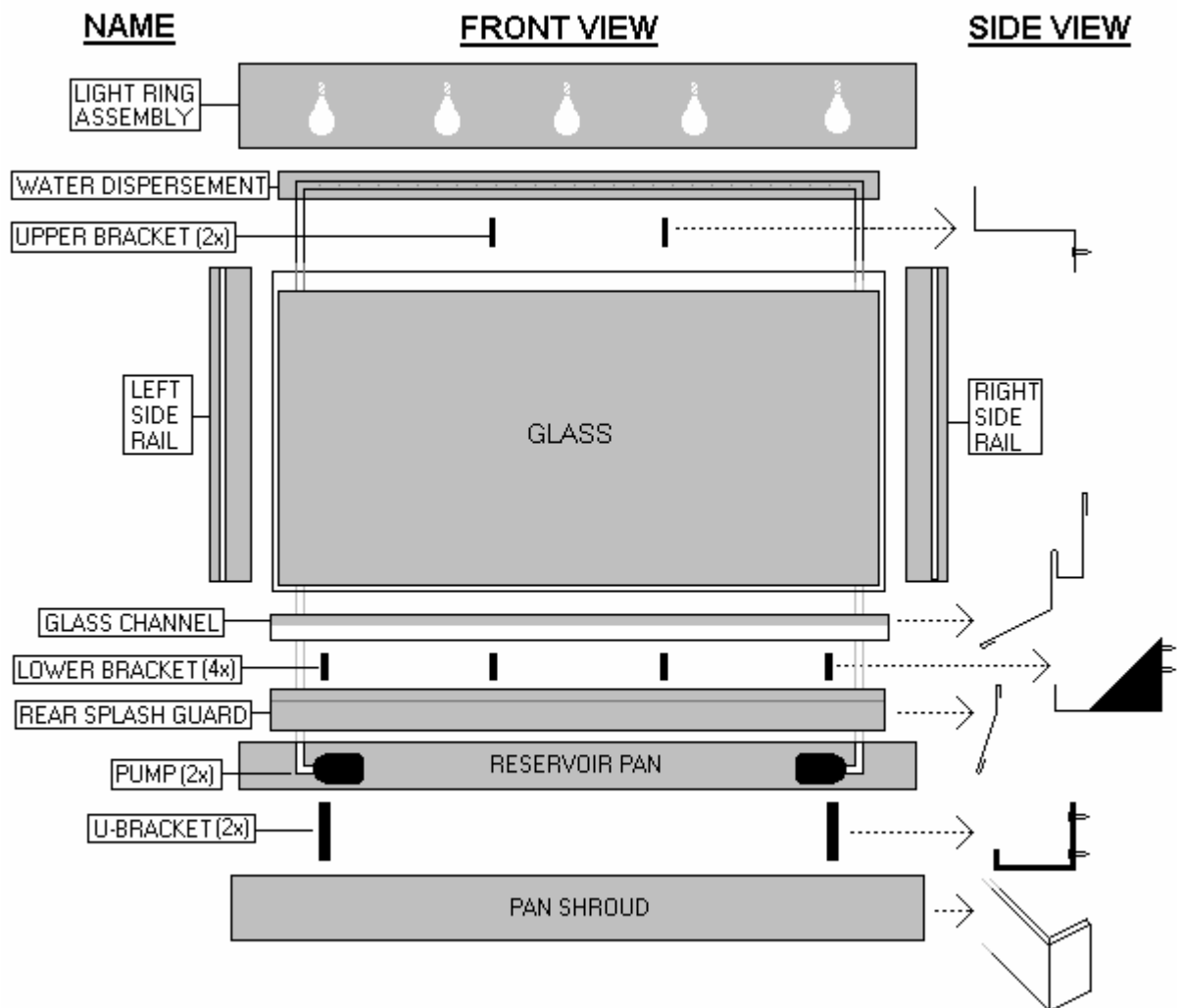
- Phillips Head Screw Driver and Standard Head Screw Driver (Power Screw Driver Optional)
- Hammer
- Level
- Tape Measure
- Stud Finder
- Spray Bottle

# Sunrise Fountain Assembly & Mounting Instructions

Water Wonders®

## 1 LAYOUT AND ASSESS COMPONENTS

Lay all the components of your fountain out in a clear space on the floor. Look at the picture below to see the order of the parts on the wall. The power cords for both the pumps and the light ring assembly exit behind the water reservoir unless they are to be plugged into a switched, recessed “clock box” style outlet behind the fountain. If you use a “clock box”, make sure that the switch is in the “off” position before plugging in the pumps. You must have or install enough clock boxes to accommodate each plug. We recommend a Ground Fault Interrupt (GFI) type outlet with any fountain. Before installation, decide at which height you would like the fountain to hang. The overall dimensions of the fountain are 75” wide by 48” high by 6.5” deep. Remember, do not hang the fountain too high or too low in order to avoid exposing the light fixtures or light bulbs.

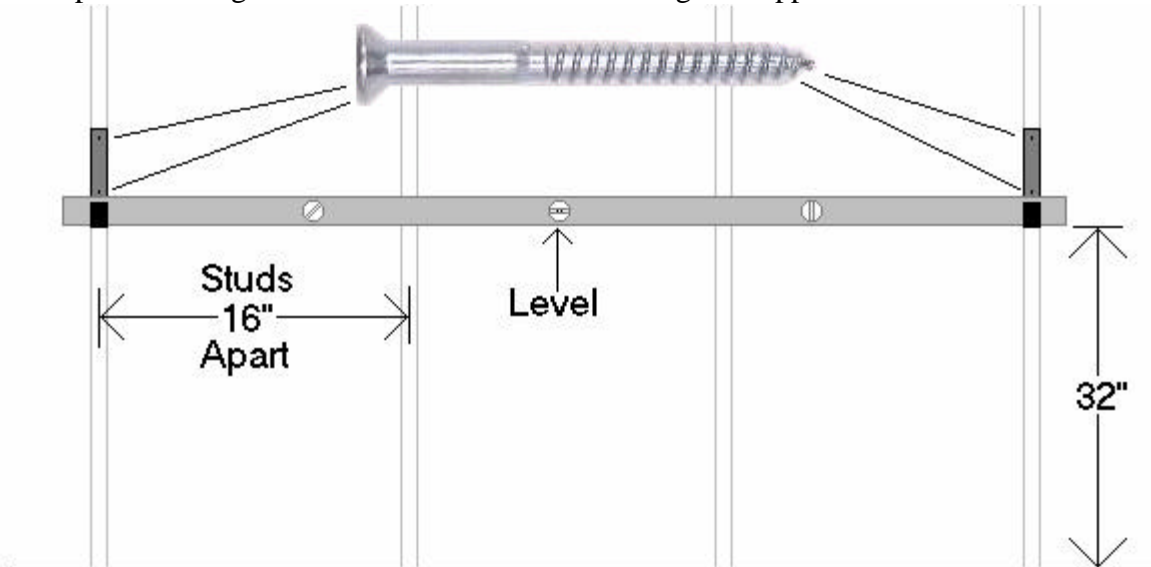


# Sunrise Fountain Assembly & Mounting Instructions

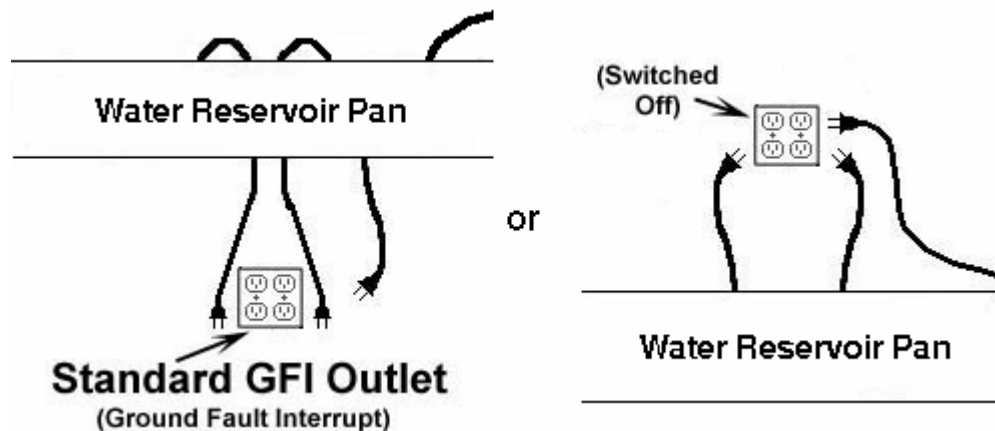
Water Wonders®

## 2 LOWER FOUNTAIN ASSEMBLY

- A.** Find the height from the floor at which you would like to hang your fountain. Use a stud finder to locate the four studs you will be using to anchor the fountain to the wall. Refer to the diagram below for this step. On the two outside studs, measure from the floor 32" up and mark that spot where the bottom of the U-Brackets will hang. We recommend drilling 1/8" pilot holes for the screws (pictured below) that will hold the U-Brackets. Drill the U-Brackets into the two studs as shown below, but be sure to use a level before drilling the second U-Bracket to make sure the pan will hang level. Mount the U-Brackets using the supplied recessed screws.



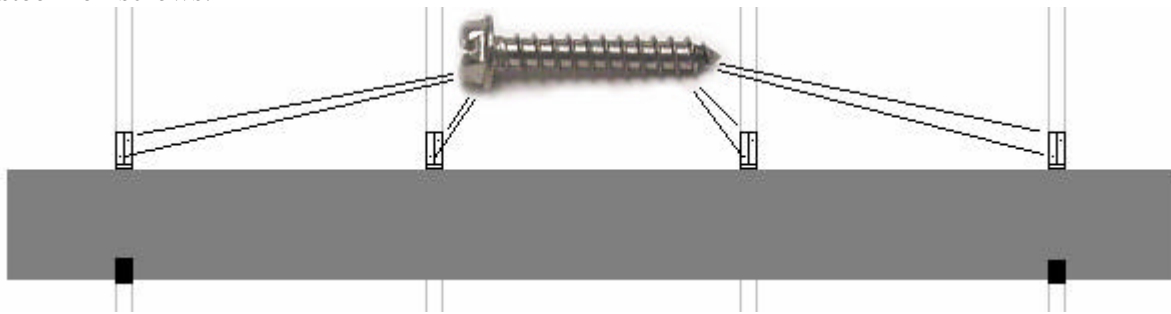
- B.** If you will be plugging your fountain in below the Water Reservoir Pan, then you must set the pumps in either end of the pan and run the pump cords and the light cord behind the pan before inserting the pan into the U-brackets. Do not plug in the pumps yet. After setting the pan in place, you should double check that the pan is level by using a level. If the pan is not level then adjust the height of either side by removing the U-bracket and re-inserting it at a different height. Center the pan on the U-Brackets.



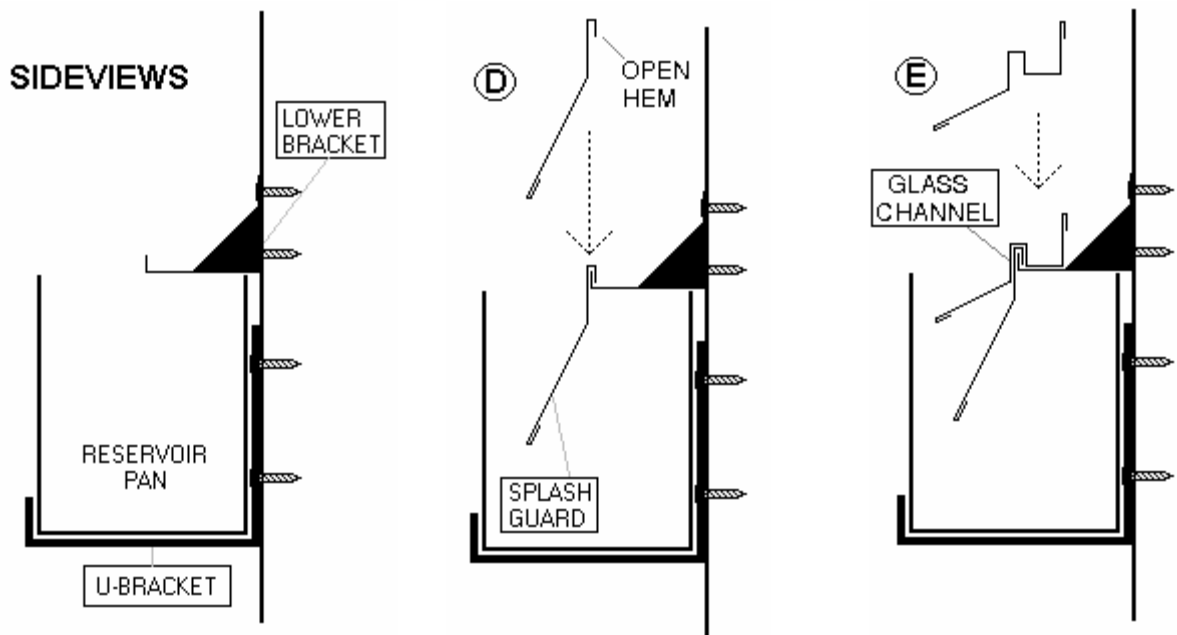
# Sunrise Fountain Assembly & Mounting Instructions

Water Wonders®

- C.** The Bottom Glass Brackets **MUST** be installed into wood wall studs because they bear the greatest weight of the fountain, the glass. If you still can see the U-Brackets or the marks from them, use those to find the studs. The other option is to use a stud finder to locate the wall studs. As a guide, the bottom edge of the Bottom Glass Brackets should rest on the top edge of the Water Reservoir Pan. Determine the placement of the brackets and mark the holes. Drill 1/8" pilot holes and then screw the Bottom Glass Brackets into the studs using the 1 1/4" stainless steel hex screws.



- D.** Clip the Splash Guard onto the Lower Glass Brackets. The Splash Guard clips over the front edge of the Lower Glass Brackets. Look at the two hems of the Splash Guard, and find the one that is opened. Slide this opened hem over the edge of the Lower Glass Brackets. See the figure in the middle below to view a cross-section of what it should look like.
- E.** Place the Glass Channel on the Lower Glass Brackets as well. The Glass Channel sets in the Lower Glass Brackets as shown below. The Glass Channel will serve to protect the edge of the glass and reduce splashing at the front of the fountain. See the figure below on the right for a sideview of this step.



# Sunrise Fountain Assembly & Mounting Instructions

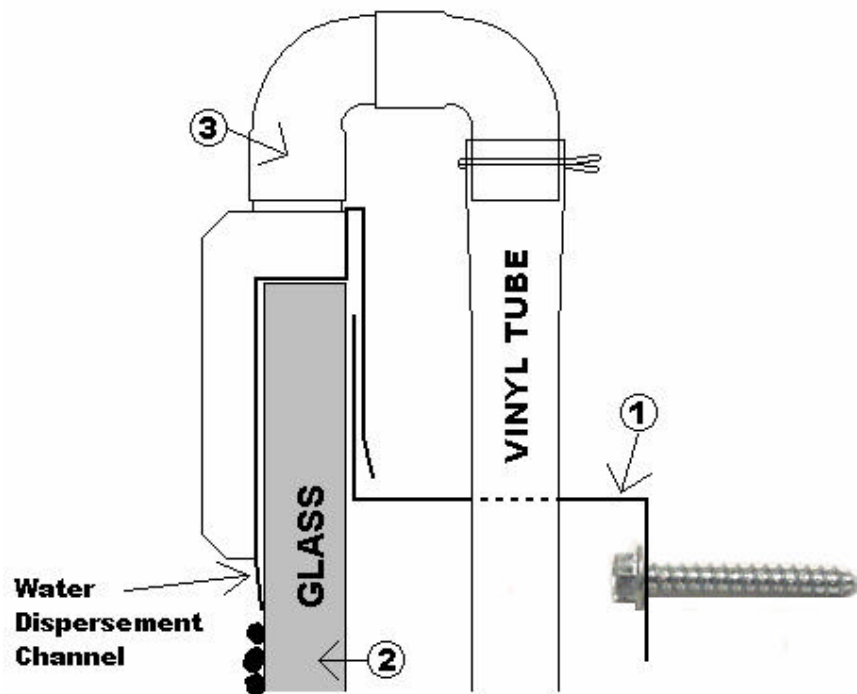
Water Wonders®

## 3 TOP FOUNTAIN ASSEMBLY

1. The first step is to screw the top brackets into place. The positioning of the Top Brackets is important because they need to be the right height to support the glass properly and they need to be staggered correctly to avoid conflict with the light ring assembly. To find the correct height for the Top Brackets, measure up the wall 33 ¼" from the top of the water pan to find the point where the screw goes. To stagger the Top Brackets correctly, locate the two center studs with your stud finder and mark the spots. To view the positioning of the Top Brackets, see the diagram on page 2. Use the provided 1 ½" zinc hex-head screws to attach the Top Brackets. We also recommend pre-drilling the holes.



2. With the brackets in place, you are ready to place the glass piece in the channel. Have two strong people lift the glass into an upright position with the 2" gap between the edge of the rocks and the edge of the glass on the top side. Holding the sides of the glass, (you can't place the glass in the channel if your hand is on the bottom of it), lift the glass piece into the channel. Check to make sure that there is at least ½" between glass and pan on each end of the glass.
3. The water dispersment slides over both the glass piece **AND** the tab on the top bracket. You may need to adjust the back side of the water dispersment to fit the tab on the top brackets inside. Be sure to center the water dispersment on the glass. **CAUTION: THE GLASS PIECE WILL FALL IF IT IS NOT ATTACHED PROPERLY! SEE THE DIAGRAM BELOW.** With the dispersment in place, insert the nozzle at the bottom of the vinyl tubes into the pumps.



# Sunrise Fountain

## Assembly & Mounting Instructions

Water Wonders®

### 4 PLACE SIDE RAILS ON AND PAN SHROUD ON

Slip the notch on the Side Rail over the edge of the Glass Piece and slide the Side Rail down into position so that it is sitting in the Water Reservoir Pan attached to the Glass Piece. Fit the Pan Shroud over the top outer edge of the Water Reservoir Pan and push it down until it fits snug over the Water Reservoir Pan.

### 5 TEST BOOT UP

Fill the water reservoir pan with water (distilled is recommended). The level of the water should be  $\frac{1}{2}$ " –  $\frac{3}{4}$ " from the top of the pan. The water must always cover the pump. Before you start the fountain, all of the rocks and slate should be wet. If not, the flowing water will not adhere to the rocks and will tend to run off of the fountain. The easiest way to wet the slate is with a spray bottle or a sponge. Spray or wipe the entire surface. Now plug in the fountain. After a few seconds the water should flow evenly over the face of the fountain. You can adjust the sound of your fountain with the level of water in the water reservoir pan. The lower the water level, the more sound. The higher the water level, the less sound. If the water is flowing too fast or too slow, adjust the pumps by turning the knobs on the sides of the pumps.

**Make sure that the PVC disperser is directed at a 45 deg. angle back into the copper tray where it rests.** This helps ensure that the water flows evenly out over the entire fountain.



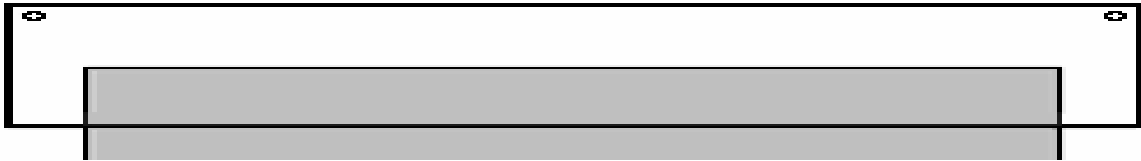
# Sunrise Fountain

## Assembly & Mounting Instructions

Water Wonders®

### 6 MOUNT LIGHT RING ASSEMBLY

Before mounting the light ring, turn the fountain on and run a finger along the length of the water disperser to ensure even flow of the water. With the fountain still running, you can then mount the Light Ring assembly. Screw light bulbs in before hanging the Light Ring. Position the Light Ring Assembly so that the lower edge is just below the top level of rocks. It should be centered over the Glass Piece. With the Light Ring in place, mark the two holes. Screw in EZ Anchors at your marks until they are flush with the wall. Screw the Light Ring Assembly into the anchors with the two #8 Pan Head screws. Now that the fountain has been fully assembled, it is best to let it run continually, as this will allow for best fountain performance.



# Sunrise Fountain

## Assembly & Mounting Instructions

Water Wonders®

### **MAINTENANCE:**

- **Pump Adjustment** - Because of the subtleties and hand made quality of the fountain, each piece of glass and pebbles varies slightly. Therefore, the pump volume of each pump may need to be changed to eliminate the fine misting of water across the front lip of the pan and the floor in front of the fountain. Adjust the flow by turning the knob on the side of the pump. Reduce misting by decreasing the amount of speed in the pump.
- Check the water in your fountain daily - for a water level of 1/4"- 3/4" from the top of the pan. Water will evaporate from the fountain and adversely affect the performance of the water pumps, which **MUST** be completely submerged for proper operation and longevity. **NEVER ALLOW YOUR WATER PUMPS TO OPERATE DRY!**
- Heissner™ pumps are designed to provide exceptional pumping capacity with minimal maintenance. **Please read the manufacturer's instruction sheet for important safety, operation, maintenance and warranty information.**
- We have carefully hand-applied a patina finish and powder coated your fountain's copper components. **DO NOT USE COPPER CLEANER**, as this will damage the powder coat finish. Cleaning instructions are below.
- To clean the powder coated components of your fountain, use mild liquid soap (non-perfumed and non-abrasive), and a damp rag to remove stains and dust. Then take a damp rag that has no soap on it to clean off the soap residue. Dry and buff with a soft cotton cloth.

### **TROUBLE-SHOOTING:**

- *Pump is too noisy:* Make sure the pump is securely attached to the pan with the supplied suction cups. Be sure the pump's output nozzle is securely inserted into the fountain's clear intake tube as forced water escaping the connection may cause unwanted air bubble noise. Make sure the pump is completely submerged.
- *Water does not flow:* Check for any kinks in the neoprene tubing at the bottom of the Water Dispersment. Make sure pump output nozzle is inserted into neoprene intake tube, pump is completely submerged, and the power receptacle is switched to "ON" position.

***If you have any questions regarding the set-up or maintenance of your fountain please call our customer service department at 800-549-1880.***

**Note:** Although Water Wonders Fountains are designed not to splash, sweating from condensation and splashing droplets can occur if set up incorrectly. As a precaution against water stains, please protect fine surfaces under and near fountain.