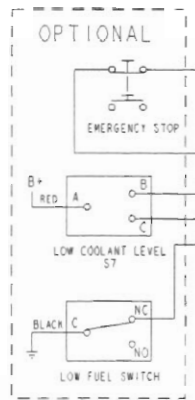


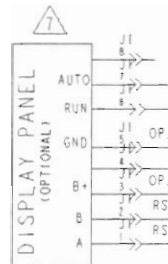
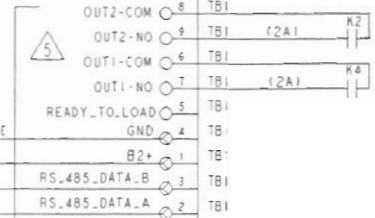
REV. NO.	DATE	REVISION	BY	CHKD	APPROVED	DATE	
FRD22371	A	1	PRODUCTION RELEASE	DC	EM	08-27-04	
FRD22465	B	1	SEE ECOR	RH	LD	01-11-05	
FRD22748	C	1	REMOVE OPTIONAL FROM MAG PICKUP	2D	RH	LD	01-20-05
		2	SEE SHEET 2		RH	LD	01-20-05
		3	SEE SHEET 2		RM	LD	01-20-05
FRD24774	D	1	CHANGED MAG-PICKUP WIRE COLORS	3D	LA	LD	08-09-05
		2	SEE SHEET 2		LA	LD	08-09-05

- NOTES:
- 1 CUSTOMER INPUT FAULTS 1 AND 2 ARE NOT AVAILABLE WITH SOME GENERATOR SET OPTIONS.
  - 2 SEE 0630\_2796 FOR WIRING OF SENSE LEADS TO THE GENERATOR AND CT CONNECTIONS.
  - 3 REMOVE JUMPER WHEN REMOTE E-STOP IS USED.
  - 4 CT1, CT2, CT3 OPTIONAL.
  - 5 SEE SHEET 2 FOR CUSTOMER OUTPUT CONNECTIONS
  - 6 SEE SHEET 3
  - 7 EITHER DISPLAY PANEL OR SWITCH PANEL (S14 AND M14) MAY BE INSTALLED, NOT BOTH.

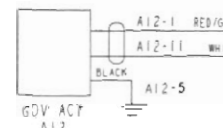
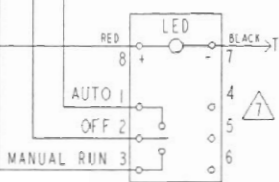


PCC1301 BASEBOARD  
(FOR REFERENCE ONLY)

CUSTOMER OUTPUTS

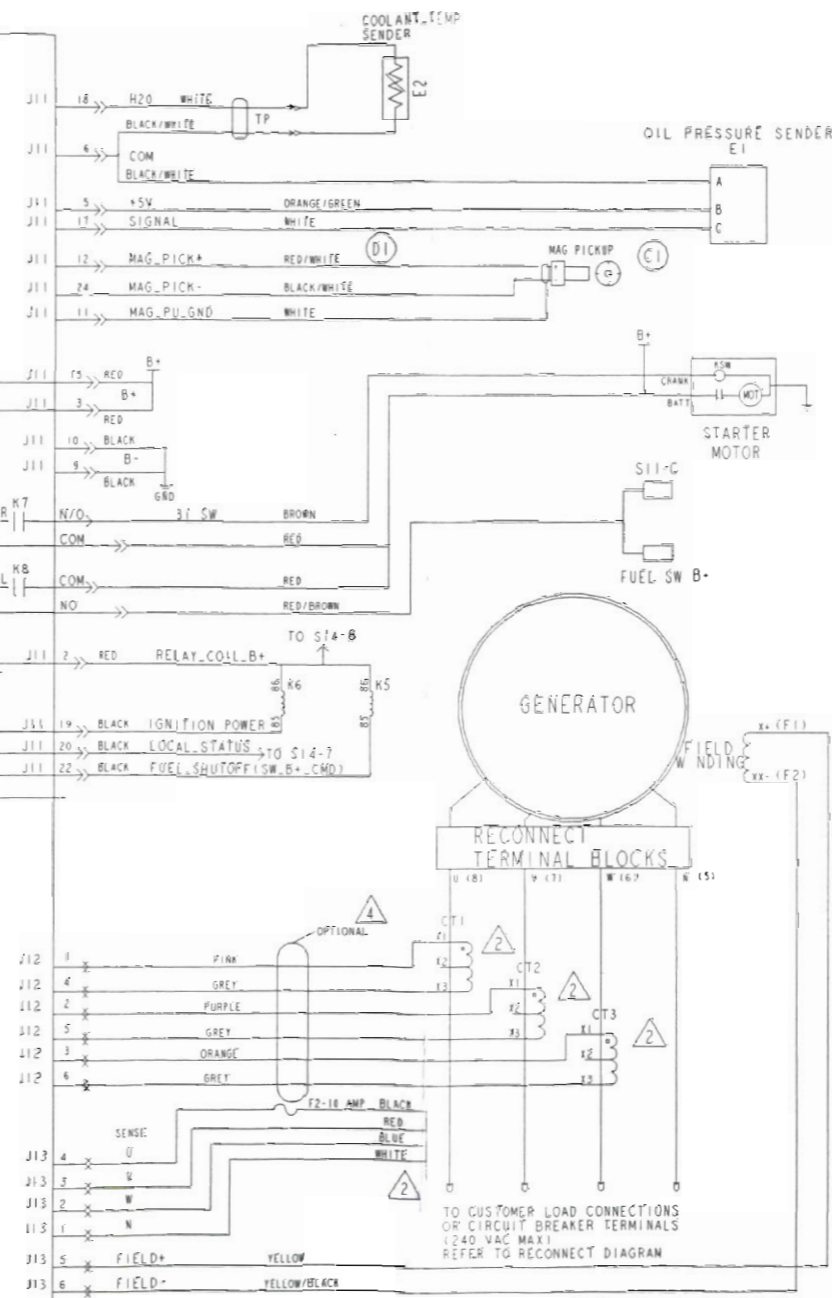


NOTE: RUN/OFF/AUTO SWITCH OR OPERATOR PANEL AUTO/RUN SWITCH CAN BE WIRED TO J11-4 & J11-16 NOT BOTH.



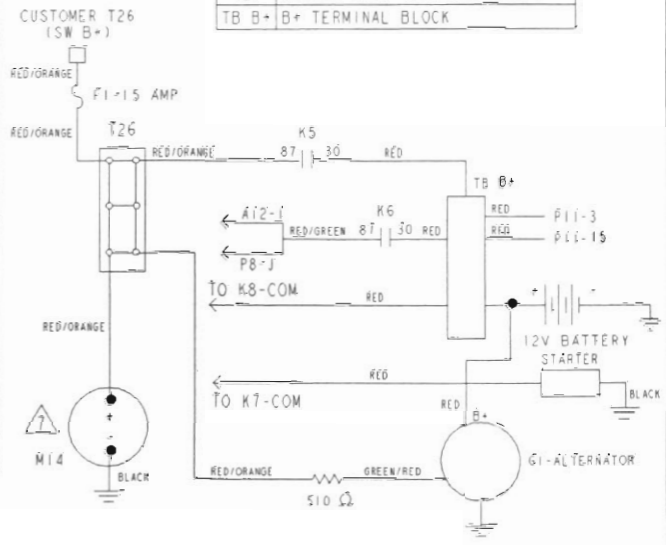
MODBUS/TOOLS INTERFACE

GGDB SPEC. F



DESIGNATION

BATT	BATTERY (+)
B1	STARTER MOTOR
E2	COOLANT TEMPERATURE SENDER
E3	OIL PRESSURE SENDER
F1	15 AMP FUSE
F2	10 AMP FUSE
G1	BATTERY CHARGE ALTERNATOR
GND	BATTERY (-)/GROUND
K5	SWITCH (B+) RELAY
M14	HOUR METER
OP	DISPLAY PANEL
RS485	COMMUNICATION PORT
S14	ON / OFF / AUTO SWITCH
T26	SWITCH (B+) TERMINAL BLOCK
TB B+	B+ TERMINAL BLOCK



ITEM	PART NO.	DESCRIPTION OR MATERIAL	QTY
1	LED	LED	1
2	CT1	CT1	1
3	CT2	CT2	1
4	CT3	CT3	1
5	F1	F1-15 AMP	1
6	F2	F2-10 AMP	1
7	K5	SWITCH (B+) RELAY	1
8	M14	HOUR METER	1
9	S14	ON / OFF / AUTO SWITCH	1
10	T26	SWITCH (B+) TERMINAL BLOCK	1
11	TB B+	B+ TERMINAL BLOCK	1

0630\_2936

6

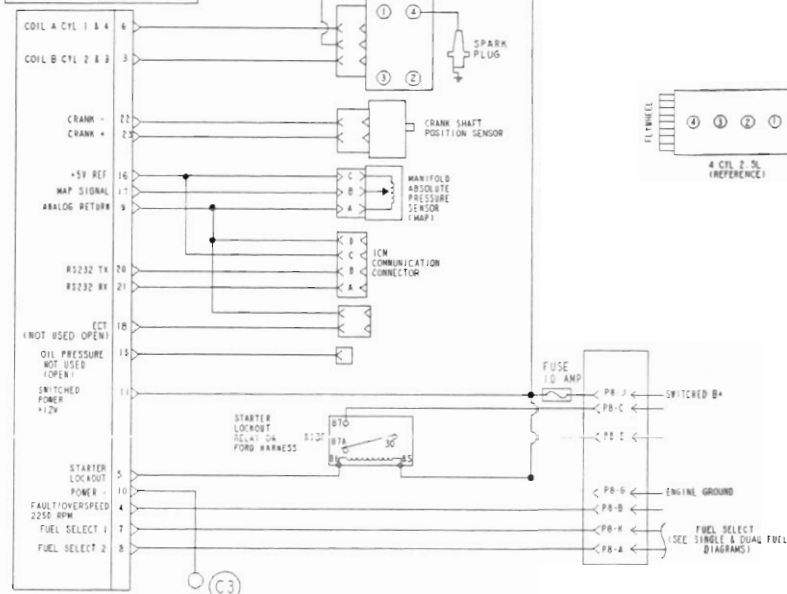
Pro/ENGINEER

METRIC DWG

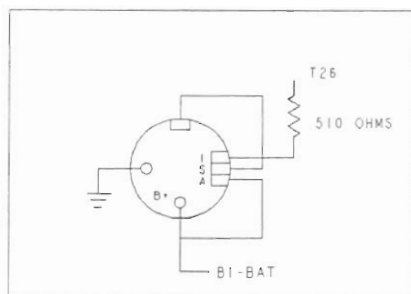
5

GGDB SPEC F

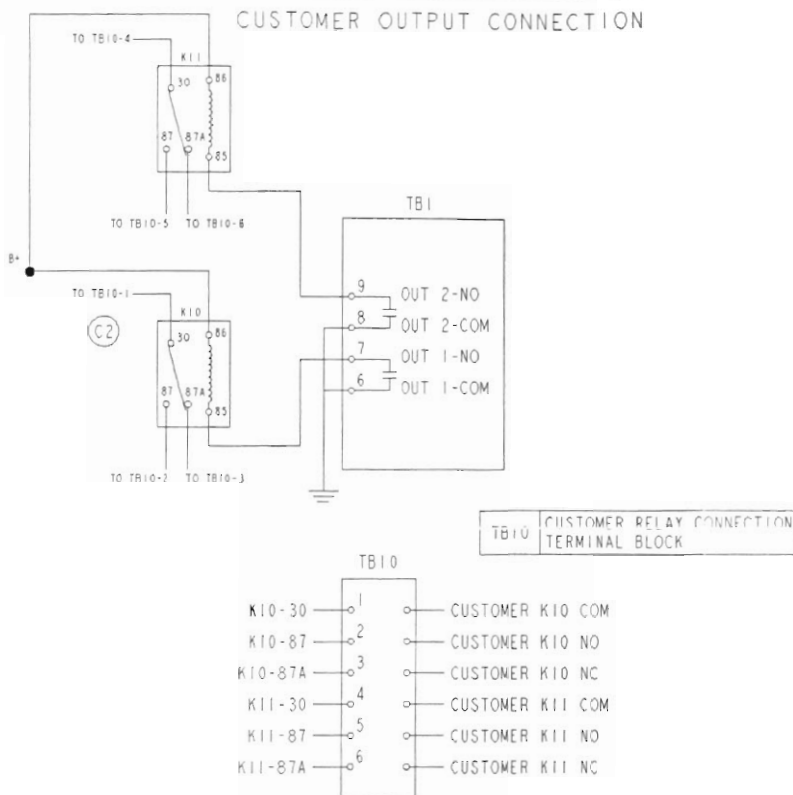
IGNITION CONTROL MODULE



ALTERNATOR CONFIGURATION

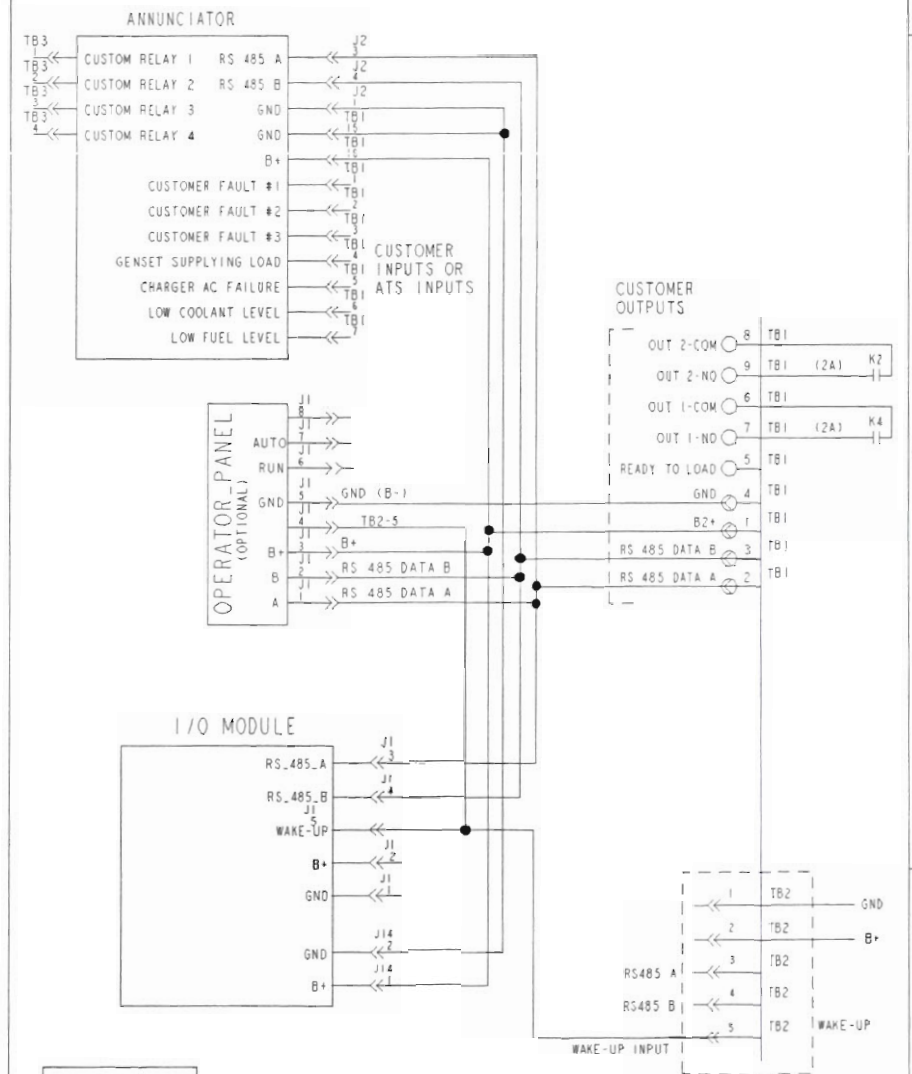


CUSTOMER OUTPUT CONNECTION



REL NO	LWR NO	REVISION	ZONE	DR	CHKD	APPROVED	DATE
FRD22371	A	1	PRODUCTION_RELEASE	-	DC	EK	08-27-04
FRD22465	B	1	SEE ECOM	-	RH	LD	01-11-05
FRD22748	C	2	SWITCH R10 AND K11	4D	RH	LD	01-20-05
		3	ADD TERMINAL TO POWER LEAD	6C	RH	LD	01-20-05
FRD24774	D	2	MODIFIED ANNUNCIATOR & I/O MODULE	2D	LA	LD	08-09-05

OPTIONAL ANNUNCIATOR & I/O MODULE

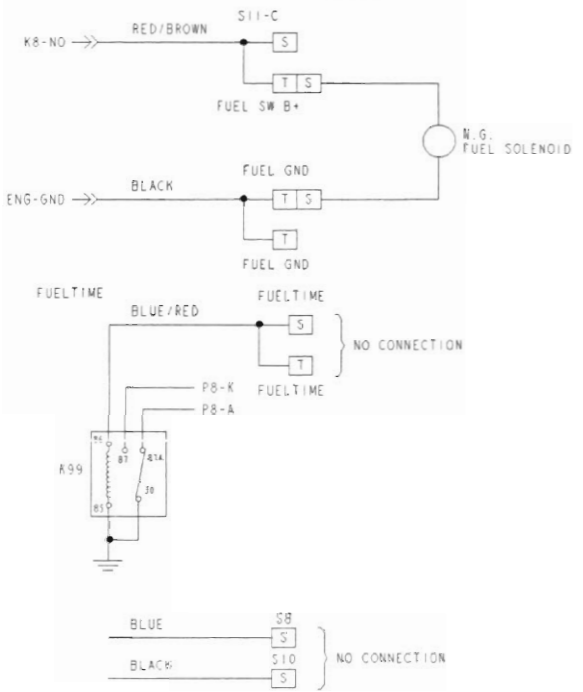


GGDB SPEC F

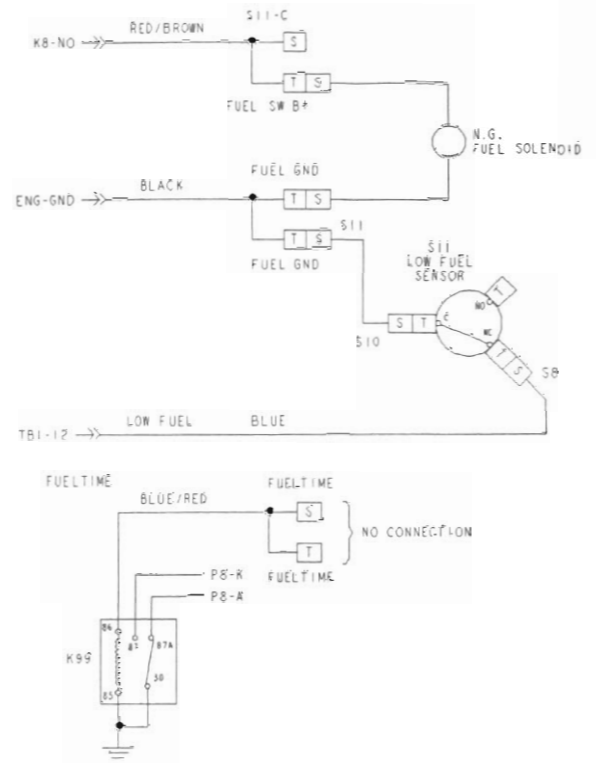
DO NOT SCALE PRINT		TOLERANCE UNLESS OTHERWISE SPECIFIED		REV TO	ITEM	PART NO	QTY	DESCRIPTION OR MATERIAL	REV
1 ± .1	1	3 ± .1		DATE	DR	DATE			
.1 ± .01	0.4	.1 ± .01		08-27-04	D_CRANE	08-27-04			
.1 ± .01	0.38	.1 ± .01		08-27-04	E_KROHNFELDT	08-27-04			
0.00-0.01	0.00-0.01	0.00-0.01		08-27-04	E_KROHNFELDT	08-27-04			
0.00-0.01	0.00-0.01	0.00-0.01		08-27-04	E_KROHNFELDT	08-27-04			
0.00-0.01	0.00-0.01	0.00-0.01		08-27-04	E_KROHNFELDT	08-27-04			

CUMMINS POWER GENERATION		TITLE	
4000 7500 AMP ARE ARE		WD-GENSET	
MINNETONKA, MINNESOTA 55342		SITE CODE	
DRAWN TO SCALE OF 1/1		PGA	
DATE		0630_2936	
SCALE OF 1/1		2 of 3	

NATURAL GAS (C002-2)

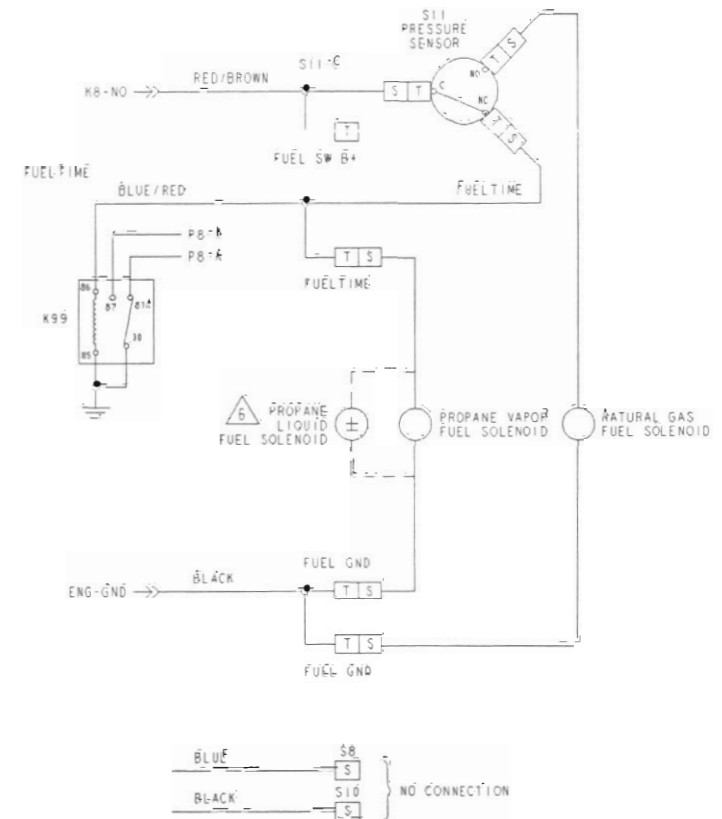


NATURAL GAS W/LOW FUEL (C002-2 + H569-2)



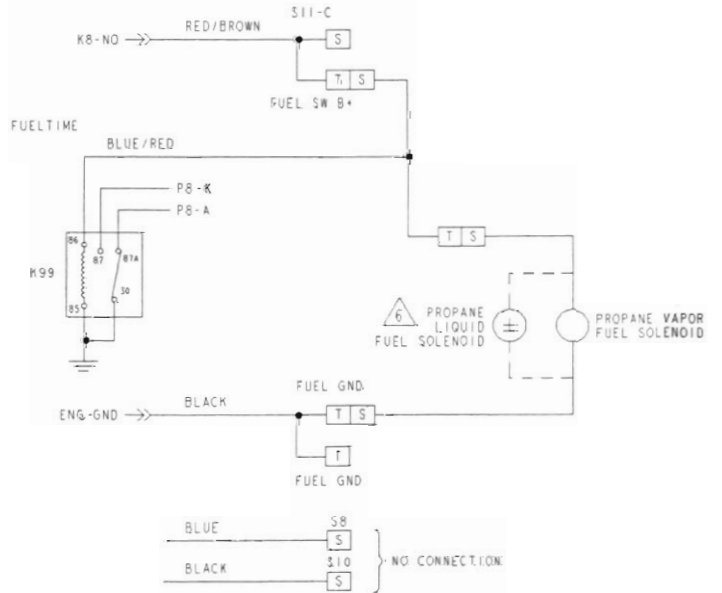
DUAL AUTO CHANGE NATURAL GAS AND PROPANE VAPOR (C065-2)

DUAL AUTO CHANGE NATURAL GAS AND PROPANE LIQUID (C090-2)

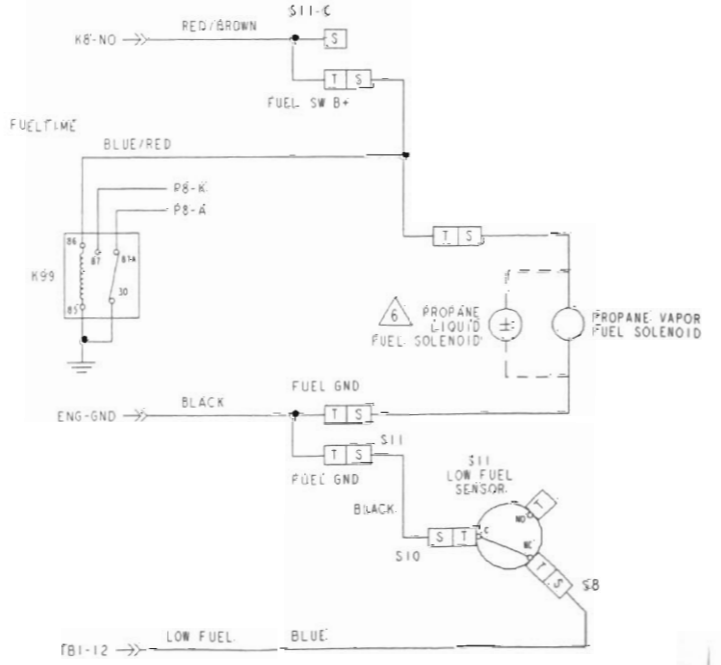


PROPANE VAPOR (C099-2)

PROPANE LIQUID (C053-2)



PROPANE VAPOR W/LOW FUEL (C099-2 + H569-2)



REV. NO.	REV. DATE	REVISION	ZONE	BY	CHKD	APPROVED	DATE	
FR022371	A	1	PRODUCTION RELEASE	-	DK	EK	EM	08-27-04
FR022465	B	1	SEE ECOR	-	RH	LD	LD	01-11-05
FR022748	C	-	-	-	RH	LD	LD	01-20-05
FR024774	D	-	-	-	LA	LD	LD	08-09-05

NOTES:  
 T-TAB  
 S-SOCKET  
 ⚠ PROPANE LIQUID FUEL SOLENOID IS POLARITY SENSITIVE

GGDB SPEC F

ITEM	PART NO.	REV.	DESCRIPTION OR MATERIAL	BY
1	D_CRANE		08-27-04	
2	E_KROHNFELDT		08-27-04	
3	E_KROHNFELDT		08-27-04	

DD NOT SCALE PRINT	TOLERANCE UNLESS OTHERWISE SPECIFIED	DATE	FILE
ANG TOL: 1 0	FRAC	REV	REV
DRW TO SCALE OF 1/1	DEC	APP	APP
	MIL	CHK	CHK
	INCH	APP	APP

APPROVED	DATE	SITE CODE	PROJECT
E_KROHNFELDT	08-27-04	PGA	WD-GENSET
GGDB			