

CHAMBERLAIN®

LiftMaster®

PROFESSIONAL

FEATURES

For use with any 315 MHz SECURITY+® garage door openers having a purple "learn" button.

Personalized Password: Up to 10,000 possible combinations. Password can be easily changed if desired.

Temporary Password: Can be added for visitors or service persons. This temporary password can be limited to a programmable number of hours or a programmable number of entries.

Rolling Code: While your password remains constant until you change it, the code between the Keyless Entry and the receiver changes with each use, randomly accessing over 100 billion new codes.

Operation: Opener activates when 4-digit password and ENTER button is pressed.

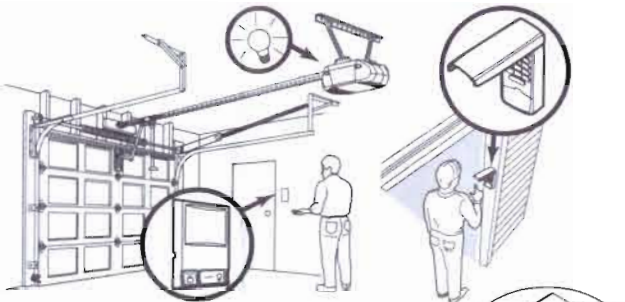
If wrong numbers are accidentally pressed, correction can be made immediately. The ENTER button will transmit only the last four digits.

The keypad will blink for 15 seconds after the password is transmitted. During that time the ENTER button can be used to stop or reverse the door travel.

The Lock feature on openers with Multi-Function Door Controls is designed to prevent operation of the door from portable transmitters. However, the door will open and close from the door control push button and the Keyless Entry.

One Button Close: Opener can be closed by pressing only the ENTER button if the one button close feature has been activated. This feature has been activated at the factory. To activate or deactivate this feature press and hold buttons 1 and 9 for 10 seconds. The keypad will blink twice when the one button close is active. The keypad will blink four times when one button close is deactivated.

USING THE MULTI-FUNCTION DOOR CONTROL



1. Enter a four digit personal identification number (PIN) of your choice on the keypad. Then press and hold ENTER.
2. While holding the ENTER button, press and hold the LIGHT button on the Multi-Function Door Control.
3. Continue holding the ENTER and LIGHT buttons while you press the push bar on the Multi-Function Door Control (all three buttons are held).
4. Release buttons when the motor unit lights blink. It has learned the code. If light bulbs are not installed, two clicks will be heard.



Models 377LM, 377LMC 315 MHz Security+® Wireless Keyless Entry

⚠ WARNING

To prevent possible SERIOUS INJURY or DEATH from a moving gate or garage door:

- Install Keyless Entry Control within sight of the garage door, out of reach of children at a minimum height of 5 feet (1.5 m), and away from all moving parts of door.
- ALWAYS keep remote controls out of reach of children. NEVER permit children to operate, or play with remote control transmitters.
- Activate gate or door ONLY when it can be seen clearly, is properly adjusted, and there are no obstructions to door travel.
- ALWAYS keep gate or garage door in sight until completely closed. NEVER permit anyone to cross path of moving gate or door.

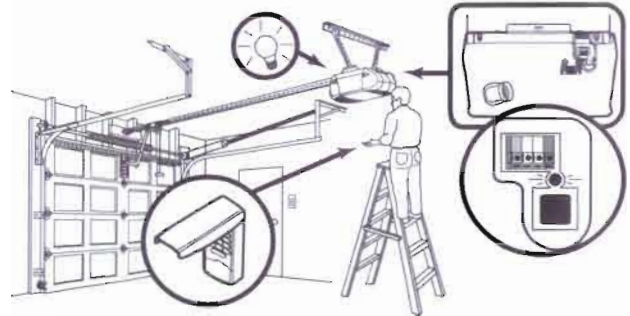
NOTICE: To comply with FCC and/or Industry Canada rules (IC), adjustment or modifications of this receiver and/or transmitter are prohibited, except for changing the code setting or replacing the battery. THERE ARE NO OTHER USER SERVICEABLE PARTS.

Tested to Comply with FCC Standards FOR HOME OR OFFICE USE. Operation is subject to the following two conditions: (1) this device may not cause harmful interference, and (2) this device must accept any interference received, including interference that may cause undesired operation.

SETTING THE PERSONAL ENTRY PASSWORD

We recommend that you install the battery and program the Keyless Entry now, prior to installation. Then you can test the reception at the mounting location before you proceed further.

USING THE "LEARN" BUTTON



1. Press and release the "learn" button on motor unit. The learn indicator light will glow steadily for 30 seconds.
2. Within 30 seconds, enter a four digit personal identification number (PIN) of your choice on the keypad. Then press and hold the ENTER button.
3. Release the button when the motor unit lights blink. It has learned the code. If light bulbs are not installed, two clicks will be heard.



Side two contains instructions for installing the Keyless Entry, changing the personal entry password and setting a temporary password.

TO CHANGE AN EXISTING, KNOWN PIN

If the existing PIN is known, it may be changed by one person without using a ladder.

1. Press the four buttons for the present PIN, then press and hold the # button.

The opener light will blink twice. Release the # button.

2. Press the new 4-digit PIN you have chosen, then press ENTER.

The motor unit lights will blink once when the PIN has been learned.

Test by pressing the new PIN, then press ENTER. The door should move.

TO SET A TEMPORARY PIN

You may authorize access by visitors or service people with a temporary 4-digit PIN. After a programmed number of hours or number of openings, this temporary PIN expires and will no longer open the door. It can be used to close the door even after it has expired. To set a temporary PIN:

1. Press the four buttons for your personal entry PIN (not the last temporary PIN), then press and hold the * button.

The opener light will blink three times. Release the button.

2. Press the temporary 4-digit PIN you have chosen, then press ENTER.

The opener light will blink four times.

3. To set the number of **hours** this temporary PIN will work, press the number of hours (up to 255), then press *.

OR

3. To set the number of **openings** this temporary PIN will work, press the number of times to open (up to 255), then press #.

The opener light will blink once when the temporary PIN has been learned.

Test by pressing the four buttons for the temporary PIN, then press ENTER. The door should move. If the temporary PIN was set to a certain number of openings, remember that the test has used up one opening. To clear the temporary password, repeat steps 1-3, setting the number of hours or times to 0 in step 3.

SPECIAL NOTE: The temporary password can ONLY be programmed to Keyless Entries working on a 315 MHz Chamberlain or LiftMaster Garage Door Opener. It WILL NOT work on Keyless Entries programmed to an external receiver.

The temporary password will continue to CLOSE the door even after the time has expired. To eliminate this, program a new temporary password into the Keyless Entry.

THE KEYLESS ENTRY BATTERY

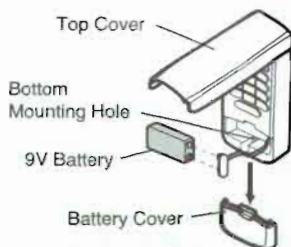
WARNING

To prevent possible SERIOUS INJURY or DEATH:

- NEVER allow small children near batteries.
- If battery is swallowed, immediately notify doctor.

The battery should produce power for at least one year. Replace when the Keyless Entry illumination becomes dim or it doesn't stay on after a keystroke.

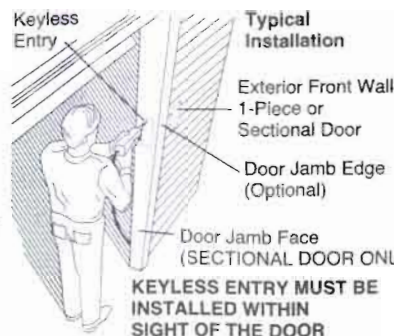
Dispose of old battery properly.



INSTALLATION

1. Choose a convenient location for installation. Install out of the reach of children at a minimum height of 5 feet (1.5 m), away from all moving parts of door.

For a one-piece door, choose the optional location shown in the illustration to avoid injury as the door swings up and out.



Test the reception of the Keyless Entry by operating your opener from the selected location. Change the location if necessary.

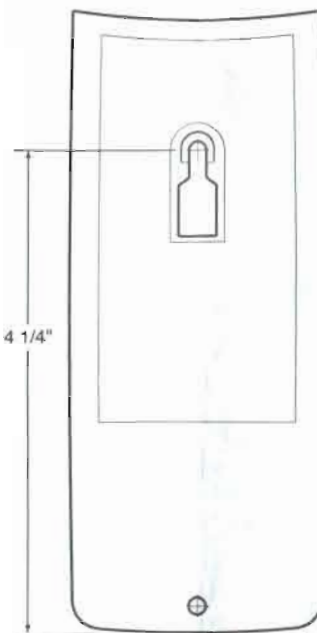
2. Remove the battery cover to access the bottom mounting hole. Slide the cover down to remove. Remove battery.
3. Center the keypad at eye level against the selected location. Mark 4-1/4" (10.8 cm) up the centerline from the bottom and drill a 1/8" (3.2 mm) pilot hole. Install top mounting screw, allowing 1/8" (3.2 mm) to protrude above surface. Position keypad on screw head and adjust for snug fit.

With cover open so bottom mounting hole is visible, Mark the position of the hole. Remove keypad and drill 1/8" (3.2 mm) pilot hole. Replace keypad and complete installation with bottom screw, using care to avoid cracking plastic housing. Do not overtighten.

Reinstall battery and replace the battery cover. To replace battery cover slide up and snap it into place.

KEYLESS ENTRY MOUNTING

(For reference only.)



Replacement parts:

Keypad cover	41D542-2
Battery	10A25
Battery cover	41D541

FOR SERVICE DIAL OUR TOLL FREE NUMBER:

U.S. 1-800-528-2817

Canada 1-800-654-4736