

Product Information

Fixture:	
Configuration	1-piece, elongated
Water per flush	1.6 gallons (6 L)
Passageway	2-1/8" (5.4 cm)
Water area	12" (30.5 cm) x 9-1/2" (24.1 cm)
Water depth from rim	4-7/8" (12.4 cm)
Included Components:	
Seat	1022679

Pump	HP	VAC	Hz	A
	1/5	120	60	8.5

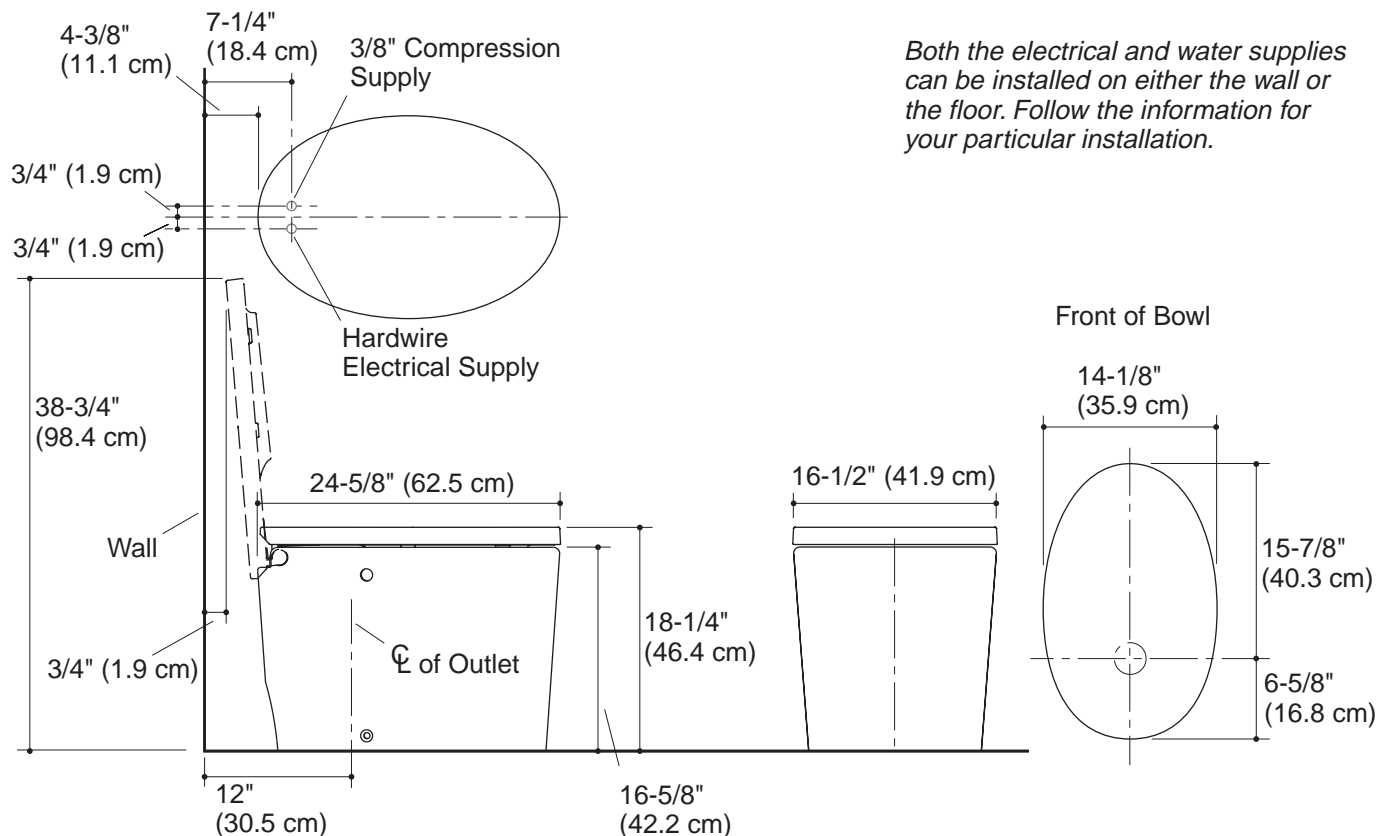
Required Electrical Service

Dedicated circuit required, protected with Class A Ground-Fault Circuit-Interrupter (GFCI):	
Receptacle	120 VAC, 15 A, 60 Hz

Installation Notes

Install this product according to the installation guide.

Fixture dimensions are nominal and conform to tolerances in ASME Standard A112.19.2.



Both the electrical and water supplies can be installed on either the wall or the floor. Follow the information for your particular installation.